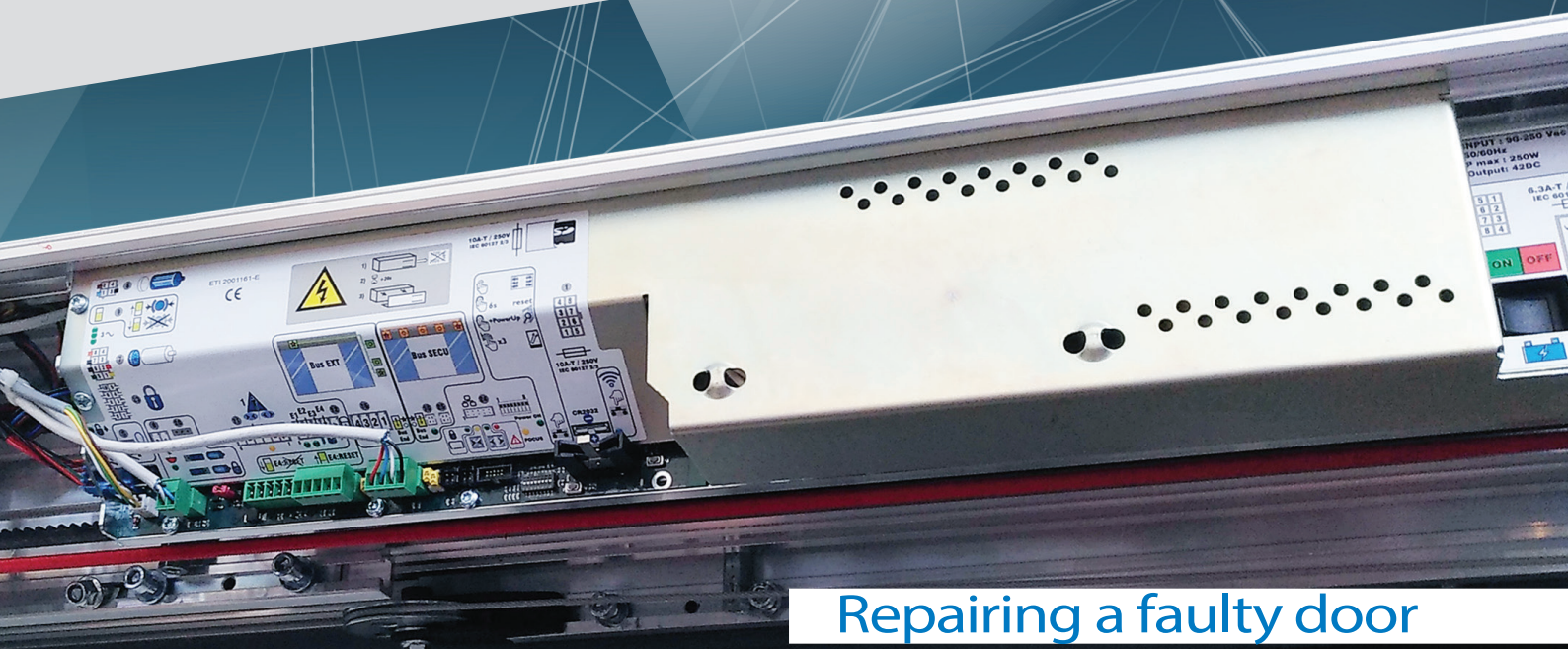


RENOVATION KIT

For automatic pedestrian doors



On existing doors from
Portalp or other manufacturers



Repairing a faulty door

Bringing your installation into compliance

Benefit from more efficient systems

RENOVATION KIT RS
TO BREATHE NEW LIFE INTO AN
AUTOMATIC DOOR
and take advantage of all the
innovation of an RS operator



A combination of
innovative technologies



A connected operator
Smartphone-controlled door



A wide range of features
Ease of use

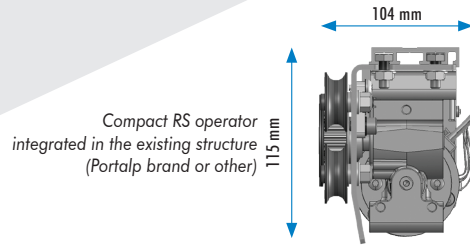
Economical and easy to install, RS Renovation Kits prevent the need for major work, as the existing door structure is retained.

A concentrate of innovative technologies for your door

The door gains in performance and functionality by benefiting from efficient technologies.

Easy to control via smartphone

- Clear display in your language
- Intuitive navigation
- Direct mode selection
- Easy user setup
- Bluetooth Low Energy



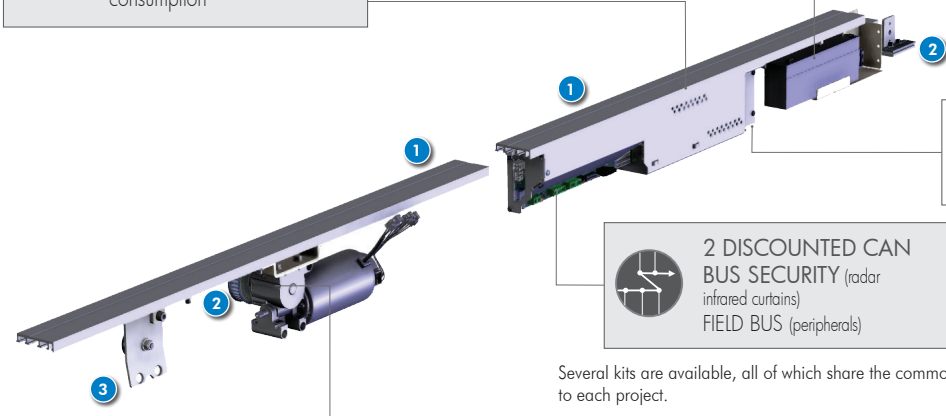
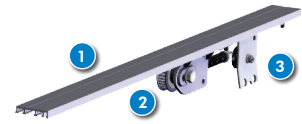
1 **FIXING PROFILES**
3 sub-assemblies supplied ready for installation

2 **LEAF DRIVE**
Belt fasteners, pulleys, counter pulleys, belts, tension adjustment

3 **EMERGENCY EXIT**
Mechanical or electrical energy reserve, EN16005 - Emergency exit

SWITCHING POWER SUPPLY
Input voltage independent, noise filtering, low power consumption

BATTERY BACKUP
Autonomy in case of power failure



SECUCAN BOARDS
Wiring of non-CAN bus compatible safety systems

2 DISCOUNTED CAN BUS SECURITY (radar infrared curtains) FIELD BUS (peripherals)

1 NETWORK BUS
Door synchronization, control and monitoring and surveillance of doors via Ethernet

BRUSHLESS MOTORISATION
Long service life, quiet, smooth and safe leaf control

ELECTRONIC LOCKING
Integrated in the mechanism, it ensures a firm locking of the leaves

SECURITY ON PASSAGE
Combined technology sensor: presence detection by microwave radar, monitoring of the closing area by infrared curtain int/ext

SAFETY AT OPENING
Securing of the door's push-out area with infrared curtains

Several kits are available, all of which share the common feature of an RS operator delivered with equipment adapted to each project.

KIT EQUIPMENT	New				
	kit DIVA RS	kit DIVA L RS	kit TINA RS	kit RS	kit RS BASIC
Switching power supply	●	●	●	●	●
120 W brushless motor	●	-	-	-	-
90 W brushless motor	-	●	-	●	●
90 W brushless motor	-	-	●	-	-
Electromechanical lock	-	●	●	●	-
RS logic box	●	●	●	●	●
Battery backup	●	●	●	●	●
EMI device	●	●	●	●	-
IXIO DT3 safety sensors	○	○	○	○	-
SECUCAN connector card	○	○	○	○	○
Smartphone control (Android/iOS)	●	●	●	●	●
Naviblu console	●	●	●	●	-

● series ○ option

Virtual key creation
Up to 32 users/door
4 configurable functions
Technical alarms



Autodoor Pilot
Application sécurisée par clés numériques (cryptage Portalp)



Android or iOS



www.portalp.com

Head office : PORTALP - 4 Rue des Charpentiers - 95330 Domont - France

Our experts support you

A national network
26 branches near you

A global operator
From installation to maintenance of all of your automatic access systems

24/7 service

24h/24 7j/7 **0 800 500 200** Service & appel gratuits

EN - FP022.B - 08/2022 - Portalp has the right to change, without notice, the products and materials presented. Their description can in no circumstances, have a contractual effect. Photo credits : Portalp