

IG-ICU-DEC172021-USA-A © COPYRIGHT 2021 - 2022 PORTALP USA, INC

MANUAL PEDESTRIAN

TUCKER ICU DOOR SYSTEMS



© COPYRIGHT



© Copyright PORTALP USA, Inc. from 2020. All rights reserved. No part of this manual may be reproduced, archived, distributed to third parties nor copied in any other way, in any format and with any means, be it electronic, mechanical or by photocopying, without prior written authorization by PORTALP USA, Inc. All names and trademarks mentioned are the property of their respective manufacturers. Customers may make copies exclusively for their own use. This manual was published in 2020.

© Copyright PORTALP USA, Inc. depuis 2020. Tous droits réservés. Aucune partie de ce manuel ne peut être reproduite, archivée ou distribuée à des tiers ni copiée, sous tout format et avec tout moyen, qu'il soit électronique, mécanique ou par photocopie, sans le consentement écrit préalable de PORTALP USA, Inc. Tous les noms et les marques cités sont la propriété de leurs fabricants respectifs. Les clients peuvent faire des copies pour leur usage exclusif. Ce manuel a été publié en 2020.

The data contained in this document are the property of PORTALP INTERNATIONAL and should not be changed without prior agreement of the manufacturer.

Les données contenues dans ce document sont la propriété de PORTALP INTERNATIONAL et ne doivent pas être modifiées sans l'accord préalable du fabricant.



PORTALP, USA, Inc

11075 Parker Drive
Irwin, PA 15642

Tel: (412) 823-2537

Email: sales@portalp.com

www.portalp.com

IMPORTANT NOTES



READ THIS SECTION BEFORE PROCEEDING WITH INSTALLATION

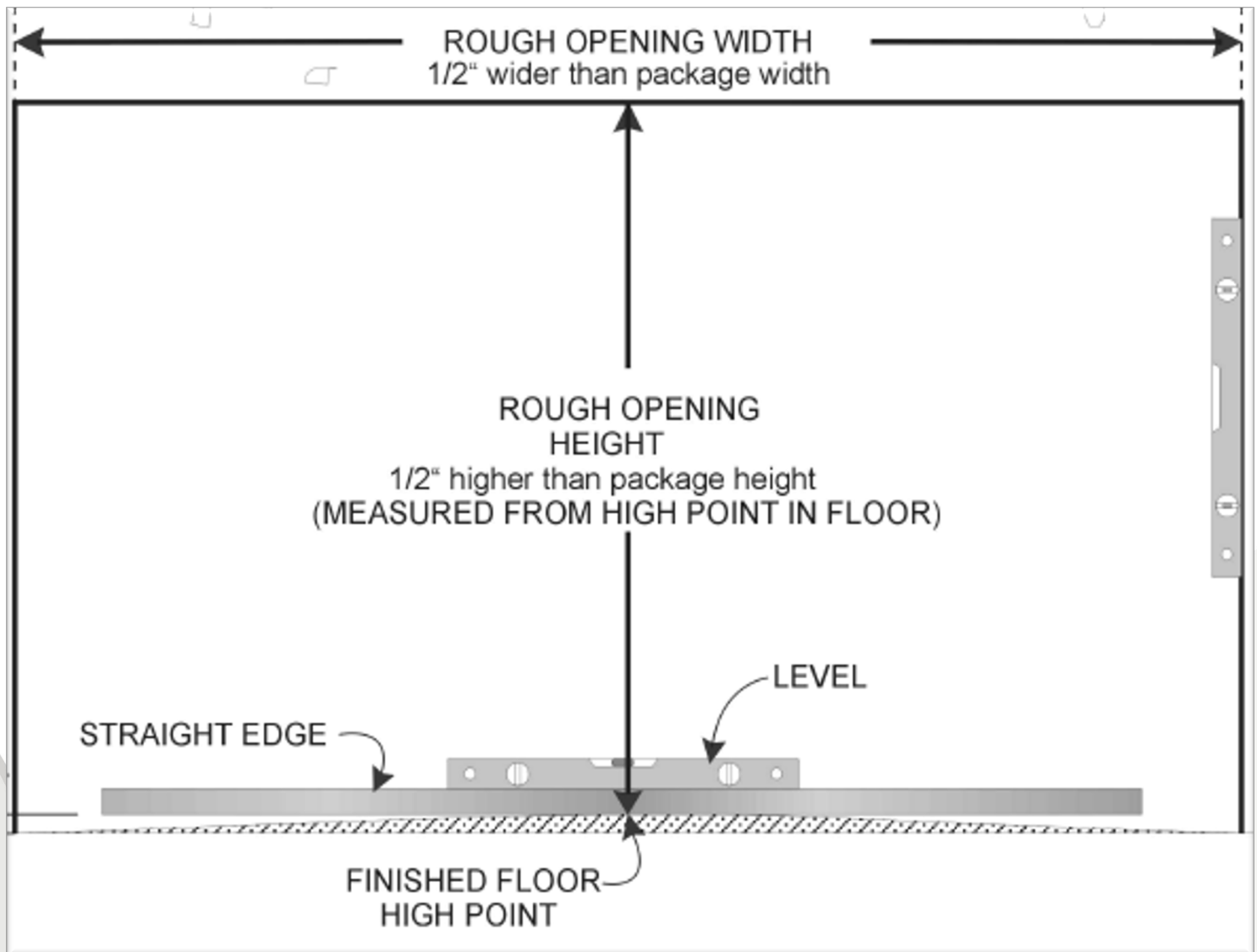
Portalp USA, Inc. (hereafter referred to as “PORTALP”) recommends that all of its automated pedestrian door products be installed by a trained automatic door technician and that the resulting performance of the product be in full compliance with the most current version of the American National Standards Institute document A156.10 or A156.19 (whichever is applicable) as well as any applicable building codes and/or fire codes. PORTALP further recommends that a full inspection of the operating system be performed in accordance with the guidelines of the American Association of Automatic Door manufacturers (AAADM). This inspection must be performed by a certified AAADM trained inspector. PORTALP recommends this documented inspection be performed upon completion of the installation as well as, following the completion of every service call thereafter. If service is not performed within one year of the previous service action, a routine AAADM inspection should be performed and documented. Under no circumstance should the product operate for more than one year without an AAADM inspection. PORTALP does NOT recommend installation or service, on any of their automated pedestrian door products, by any individual who is not certified as an AAADM inspector.

Following the installation or service of any PORTALP automated pedestrian door product, if it is deemed unsafe, or is operating in an unsatisfactory manner according to national performance standards or recommended performance guidelines as defined by PORTALP, repairs should be made immediately. If an immediate repair cannot be made, the product should be disabled, and appropriate measures should be taken to secure the door in a safe position or to enable the door to safely be used manually. During this situation, every effort should be made to notify the owner (or person responsible) of the condition and to advise on corrective actions that must be taken to return the product to safe operation.

STEP 1: CHECK THE ROUGH OPENING



- Check the size of the rough opening: **take measurements at several points**

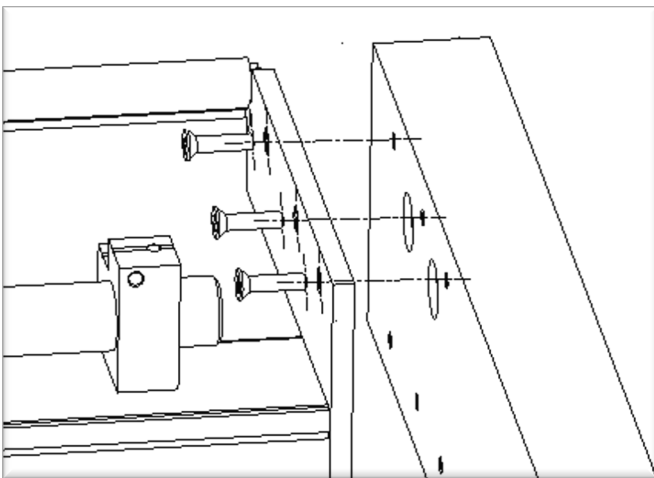


STEP 2: ATTACH THE DOOR FRAME TO THE HEADER



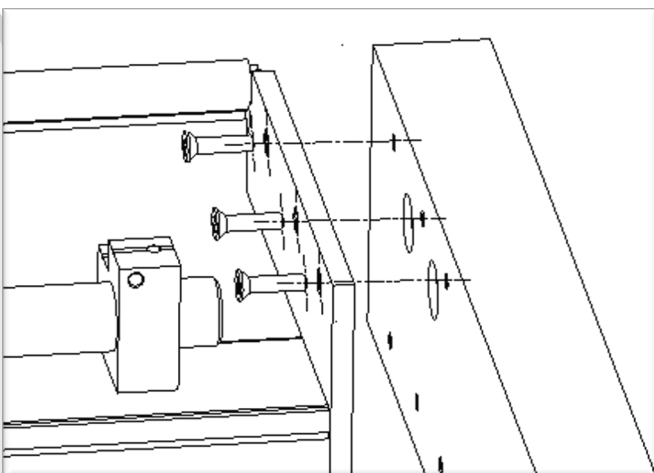
Single Slide

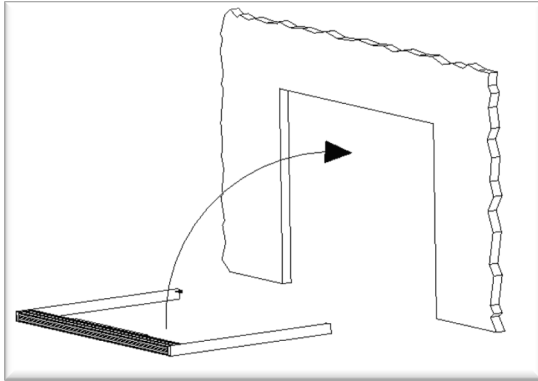
- Attach the 4 ½" wide jamb tubes to the header using the hardware provided.
- Manual sliders can use a 4" high or 8" high header beam - defined at time of order.
- **(Note: Self-closing required 8" high header beam).**



Telescopic

- Attach the 7" jamb tubes to the header using the hardware provided.
- Manual telescopic door configurations can use a 4" high or 8" high header beam - defined at time of order.
- **(Note: Self-closing required 8" high header beam).**

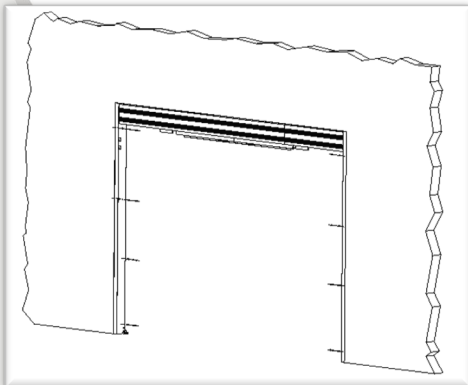
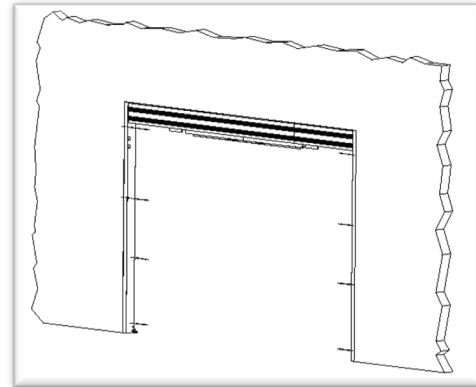


STEP 3: INSTALL THE FRAME INTO THE WALL OPENING**SINGLE SLIDE**

- Stand the frame up and walk it into the rough opening.
- **CAUTION** - two or more people may be required to safely lift the assembly. The assembled frame will be top heavy.
- For FBO (full breakout) units, the linear travel rod should be to the interior side.
- For FSL (fixed sidelite) units, the linear travel rod should be to the exterior side.

Helpful Note: The configuration will determine how to position the frame in the opening.

- Regardless of recessed track application, or surface (floor) mount applications, the jambs should rest on the finished floor.
- Use a level to ensure the jambs are plumb and level. Use shims, as necessary.
- Once positioned correctly, install the mounting screws .
- If more than 4 screws are required, drill and secure as necessary (typically use 1 screw every 16" to 20")
- After installation of the jambs and frame, check the entire package to ensure it is plumb and level. Correct as necessary with plastic shims.

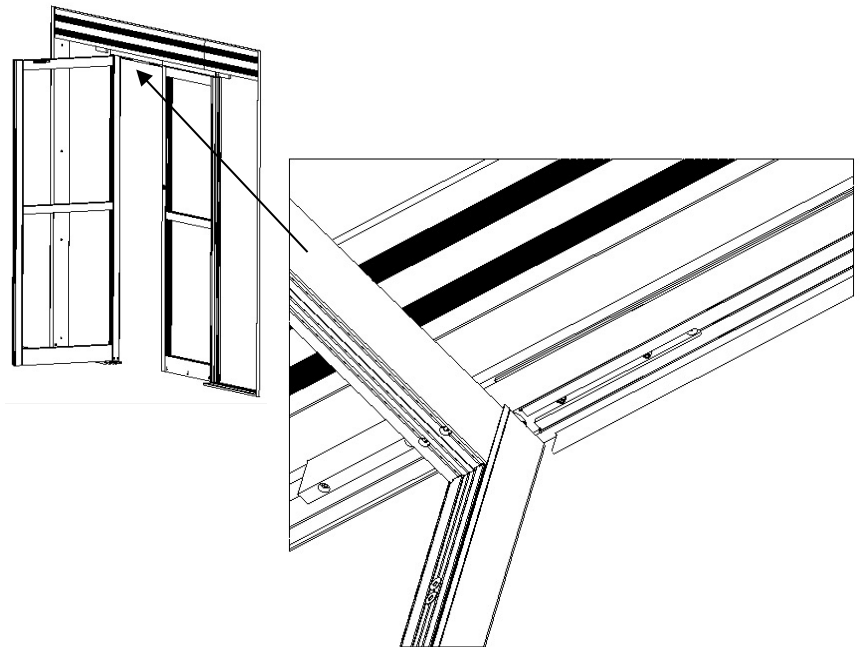
**TELESCOPIC (3-PANEL)**

- Typically use 2 screws every 16" to 20" as shown.

STEP 4: INSTALL DOOR PANELS

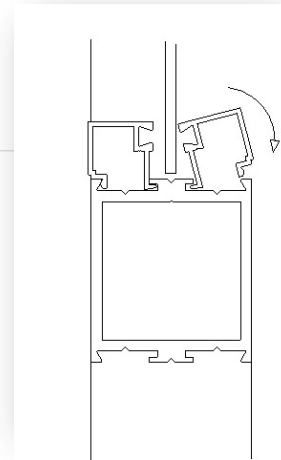


- Install the sidelite onto the bottom track or pivot depending on the configuration and secure in place.
- Place the sliding panel so that it is in a breakout position.
- Install the sliding panel by inserting the breakout bar into the carrier that is already installed in the header - always insert the bar from the trailing end of the carrier assembly as shown below.
- Slide the door within the carrier so that the leading edge is in line with the edge of the carrier.
- There are two screws to attach it and one screw that is used for adjustment, to raise the leading edge off the ground so the panel does not drag when broken out.
- Be sure that bottom rail of sliding panel is seated on the two guide blocks at the bottom of sidelite.
- Secure all hardware when complete.



STEP 5: GLASS & GLAZING

- Be sure to set the glass on appropriate type glass setting blocks to prevent damage to the glass. 1/4" thick glazing block are typical.
- Door panels can be glazed with 1/4", 5/8", or 1" glass.
- When installing the glass stops, insert the interior edge of the stop into the sill and then rotate down on the outer edge as shown.
- Glass stops should be snapped in and snug when completed properly.



STEP 6: JOB DOCUMENTATION & CLOSEOUT

- Upon completion of the installation, provide the following to the Owner or their assigned agent:
 - Completed & signed work ticket. Be certain to record any serial numbers.
 - Completed and signed copy of the AAADM inspection form if applicable
 - AAADM Owner's Manual if applicable
- Additionally, advise the Owner of the work that was performed and ask if there are any other doors that may require service.

